



# KWC SYSTEMA



**Model number:**

**10.501.144.[---]** 12" Reach  
(without wall flange for island installation)

**10.501.154.[---]** 12" Reach  
(with wall flange support bracket)

**Deck-mounted, single-hole, side-lever mixer with swivel spout and pull-down pre-rinse spray**

**Available in:**

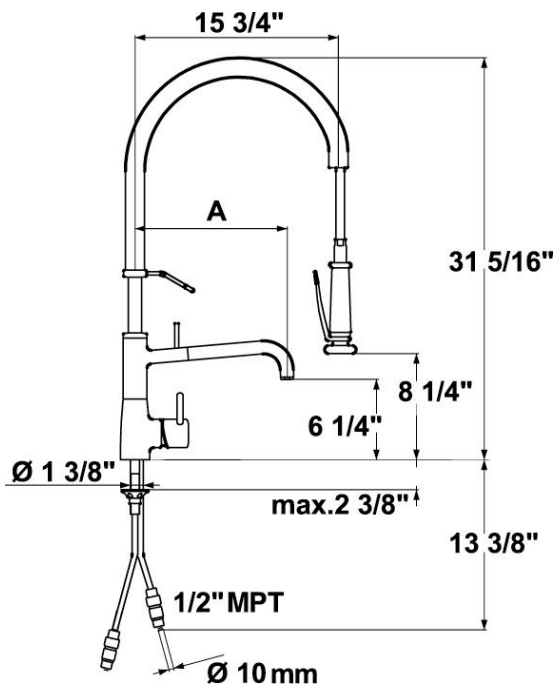
[000] All chrome

[127] Splendure™ Stainless Steel

**Measurements:**

**10.501.144.[---]** A= 12"

**10.501.154.[---]** A= 12"



**Features:**

- Durable, solid, low-lead brass construction
- Installs with lever on right side only
- Hermetically sealed, universal ceramic disc control cartridge with adjustable temperature and flow rate limitation
- 160° swivel spout
- Pre-rinse spray with integrated water hammer arrestor and polymer-coated solid steel support spring
  - pull-out length 20 inch
- 10 mm OD copper supply lines with 1/2" MPT adapter
- Mounting hole size Ø = 1 3/8"
- Flow rate: 2.2 gpm @ 60 psi (spout)  
6 gpm @ 60 psi (pre-rinse spray)